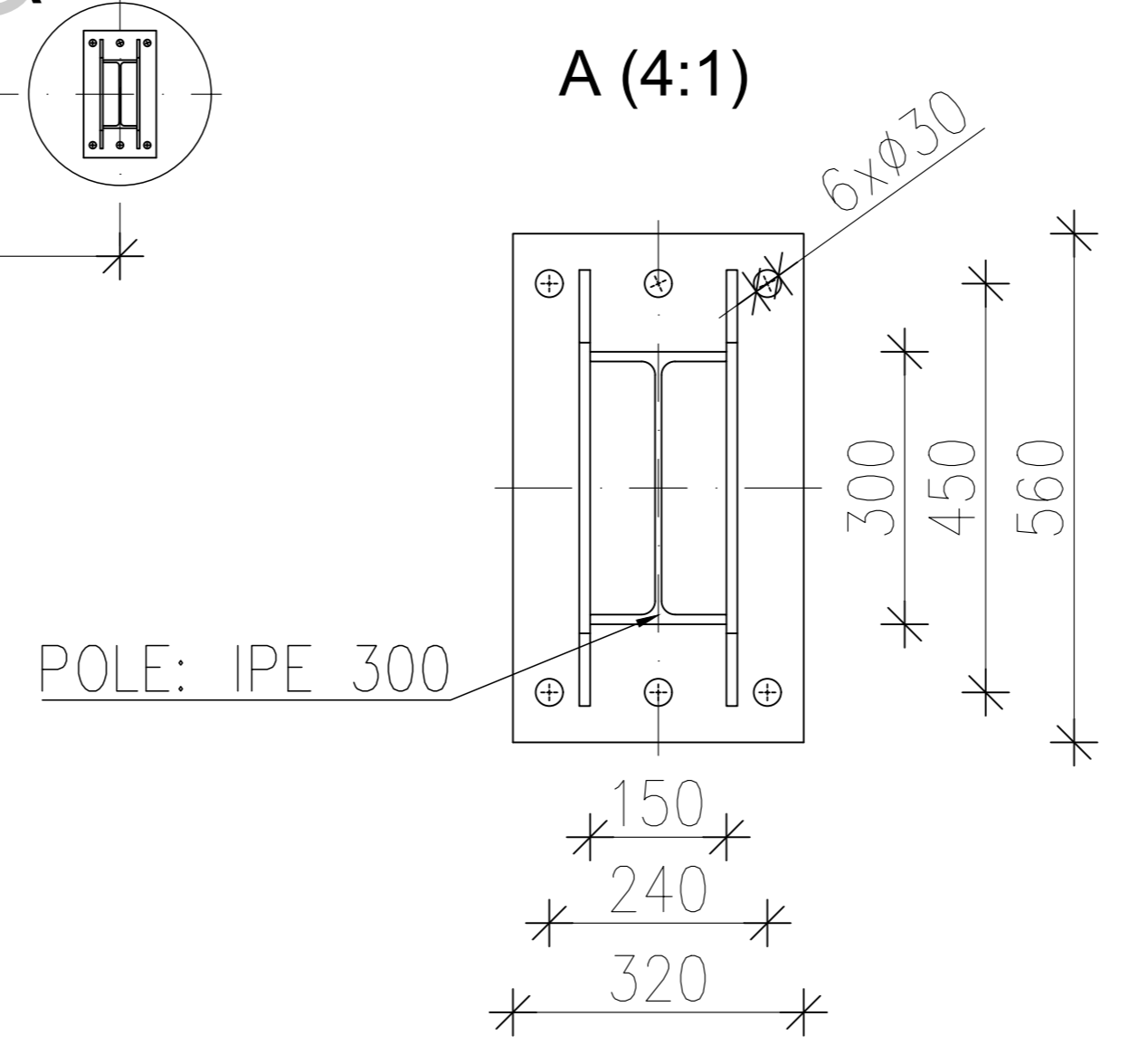
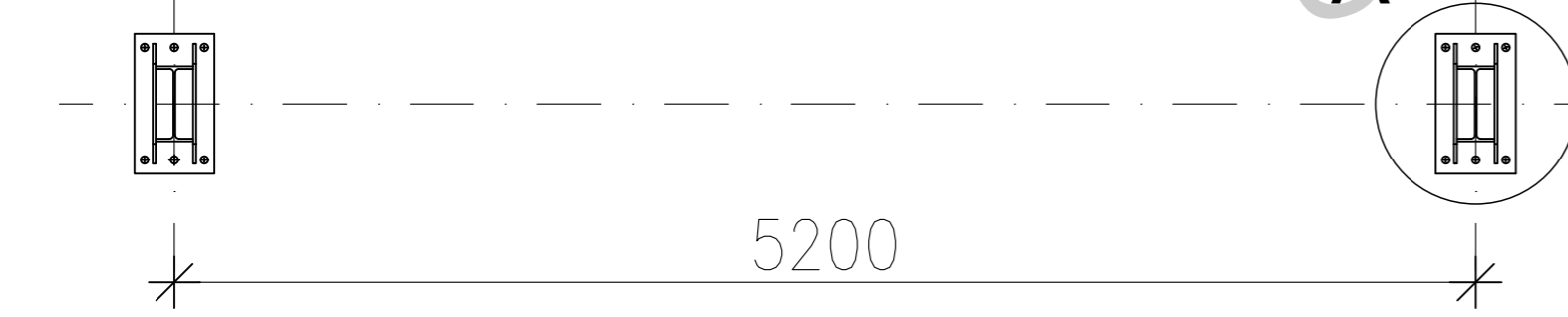


SAMPLE DRAWING



NOTES:

1. The surface of the carport allows for the installation of 15 photovoltaic panels with dimensions 1762x1134x30.
2. Foundation excavations have to be carried out in compliance with the technical conditions for the execution of construction works.
3. In the case of earthworks with mechanized equipment, remove the last layer manually.
4. Do not flood the bottom of the foundation excavations with rainwater or other.
5. Foundation benches secure with surface insulation.
6. Assumption of the corrosivity class: C3 according to the EN ISO 9223:2012.

REVISION NUMBER	DATE	DESCRIPTION

		ALTAMIRA POLAND BUDOWLANYCH 6/51, 95-040 KOLUSZKI pv@e-altamira.com	
INVESTOR			
LOCATION			
DRAWING NAME			SIGNATURE:
DESIGNER			<small>UNLIMITED BUILDING LICENCE TO DESIGN IN STRUCTURE AND CONSTRUCTION SPECIALITY</small>
ASSISTANT			
scale: 1:30	drawing no.: P24-0005-1 LE2	date: 02/2024	sheet: A2
All rights reserved. It is forbidden to copy or use documentation contrary to its purpose without the consent of the owner.			